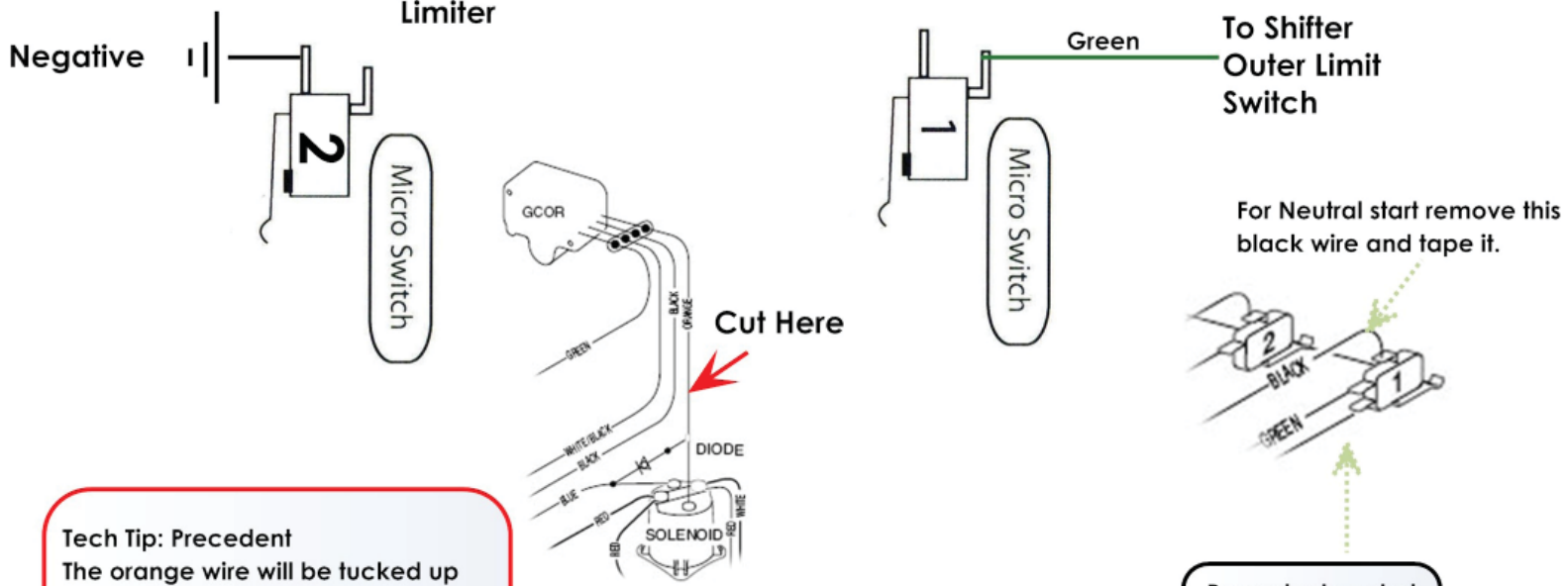
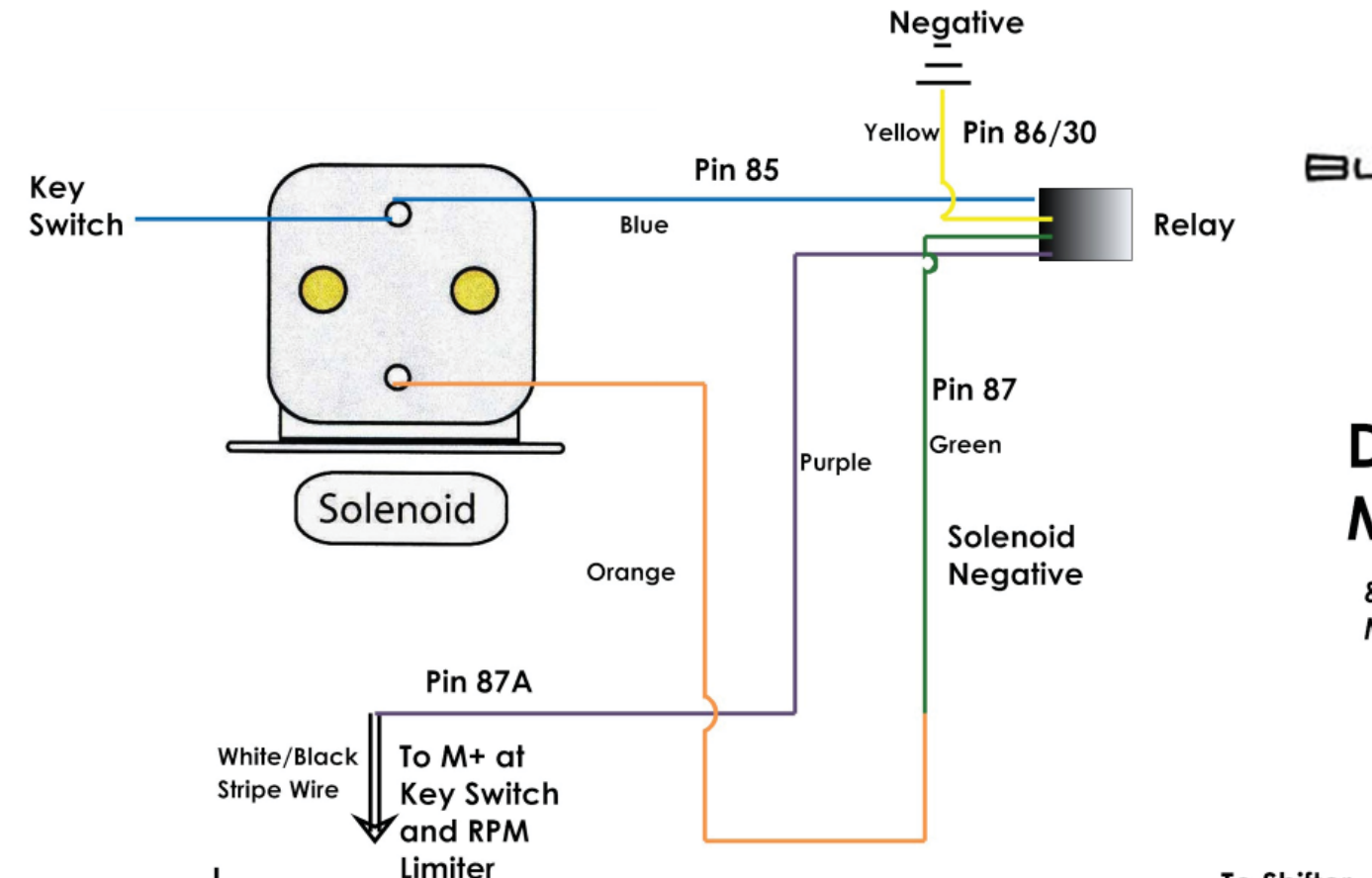


DS Models & Precedent Models



Tech Tip: Precedent
The orange wire will be tucked up inside the black wire loom covering. Cut above the area where the two orange wires are crimped together.

The relay supply's battery negative to the solenoid at key switch on. At the same time the purple wire becomes an open circuit to the magneto kill circuit.

Precedent neutral start is the same procedure.

For Precedent Models connect the blue and yellow relay wires exactly the same. The orange wire will need to be cut above the diode tucked inside the gray wiring loom. Connect the green relay wire to the half with the diode going to the solenoid.

For the M+ and RPM limiter kill circuit cut the white and black stripe wire entering the GCOR. Connect the purple relay wire to the white and black stripe wire that is leading into the main harness (not the half going into the GCOR).